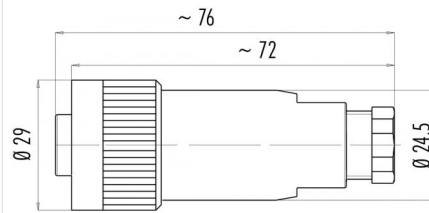


Product description **RD24 female cable connector, Contacts: 6+PE, 6.0 - 9.5 mm, shielding is not possible, solder, IP67, PG9**  
 Area **RD24 series 692**  
 Order number **99 0214 00 07**

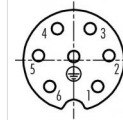
### Illustration



### Scale drawing



### Contact arrangement (Plug-in side)



	X	Y
1	3,25	-3,54
2	4,76	0,63
3	2,22	4,26
4	-2,22	4,26
5	-4,76	0,63
6	-3,25	-3,54
PE	0,00	0,50

1  
2  
3  
4  
5  
6  
⊕ green/yellow

**You can find the component part drawing and assembly instructions on the next page.**

## Technical data

### General values

Connector design female cable connector  
 Connector locking system screw  
 Termination solder  
 Wire gauge (mm) max. 0.75 mm<sup>2</sup>  
 Wire gauge (AWG) max. 18  
 Cable outlet 6.0 - 9.5 mm  
 Upper limit temperature 100 °C  
 Lower limit temperature -40 °C  
 Customs tariff number 85369010  
 Packaging Unit 40

### Electrical values

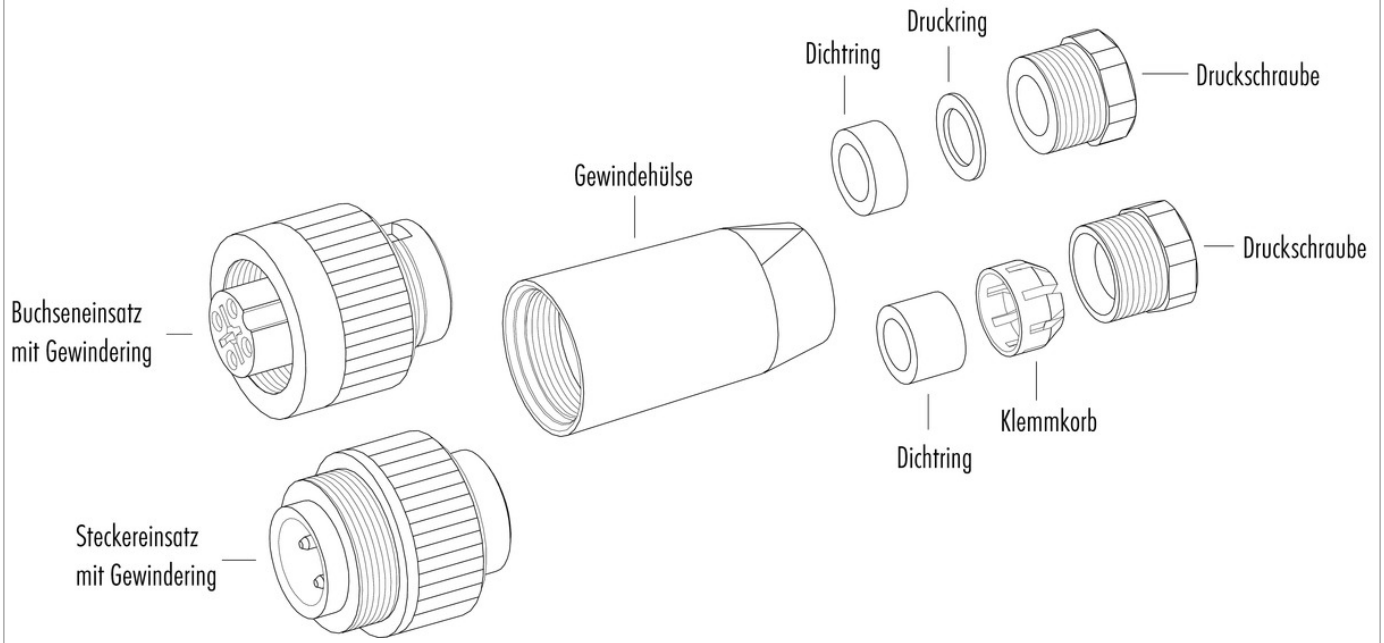
Rated current (40 °C) 10 A  
 Rated voltage 250 V  
 Rated impulse voltage 4000 V  
 Pollution degree 3  
 Overvoltage category III  
 Insulating material group III  
 Insulation resistance  $\geq 10^{10} \Omega$   
 EMC compliance shielding is not possible  
 Degree of protection IP67  
 Mechanical operation IP65 with cable diameter 6-7 mm  
 > 500 Mating cycles

### Material

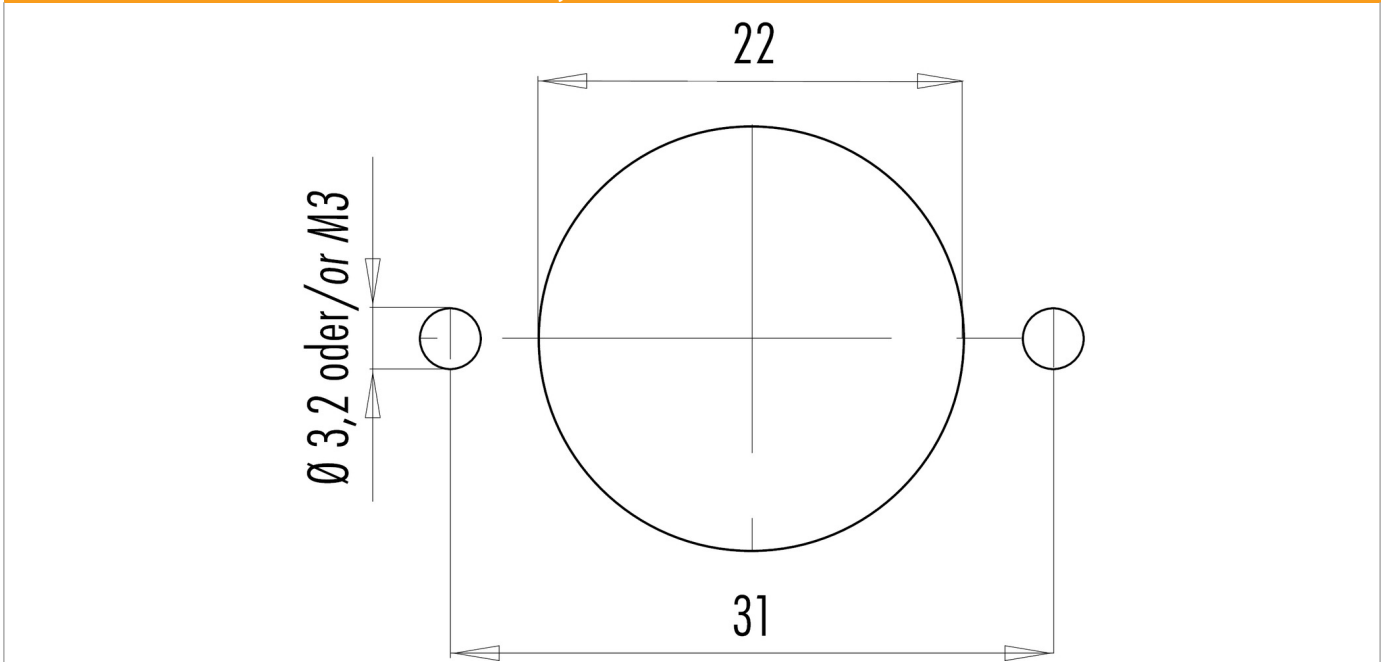
Contact material CuSn (bronze)  
 Contact plating Ag (silver)  
 Contact body material PBT (UL94 V-0)  
 REACH SVHC CAS 7439-92-1 (Lead)

Product description	<b>RD24 female cable connector, Contacts: 6+PE, 6.0 - 9.5 mm, shielding is not possible, solder, IP67, PG9</b>
Area	<b>RD24 series 692</b>
Order number	<b>99 0214 00 07</b>

### Component part drawing



### Assembly instructions / Panel cut-out



Product description	<b>RD24 female cable connector, Contacts: 6+PE, 6.0 - 9.5 mm, shielding is not possible, solder, IP67, PG9</b>
Area	<b>RD24 series 692</b>
Order number	<b>99 0214 00 07</b>

## Security notices

The connector must not be connected or separated under load. Non-observance and incorrect use can result in personal injury.

The connectors are designed for use in plant, control system and electrical equipment. The end user is responsible for checking whether the connectors are suitable for use in other applications.

To prevent the connector being opened unintentionally when used in electrical circuits containing hazardous life parts, the thread between the housing and the connector head must be secured using a suitable cyanoacrylate adhesive. This does not apply to connectors used in SELV and PELV circuits according to IEC 61140 (EN 61140, VDE 0140-1).

Connectors used in electrical circuits containing hazardous life parts must only be assembled and used by or under the supervision of persons with the requisite electrotechnical training, taking the applicable regulations and standards into account.

Connectors with degree of protection IP 67 and IP 68 are not suitable for use under water. When used outdoors, the connectors must be separately protected against corrosion. For further information about IP degrees of protection refer to 'Technical support' in the Download Centre.

To lock the cable connector to the equipment connector, the threaded ring is tightened until it is 'finger-tight' (approx. 50 cNm).